

Retractable Leg Spikes

Your Video Pro-M2 tripod is equipped with retractable Leg Spikes for extra stability on most outdoor surfaces.

To use the Leg Spikes, turn each of the heavy duty rubber leg tips in a counter-clockwise direction until they stop.

To retract the Leg Spikes, turn the rubber leg tips in a clockwise direction until the stop.



Precautions

- Insure that all levers, handles, knobs and leg locks are properly tightened, and that all three legs are fully angled opened before use.
- **Do not** carry or transport the tripod with the camera equipment attached (as example but not limited to: over your shoulder or cradled in your arms).
- **Do not** Oil or Grease any part of the tripod.
- Do not use any solvents or thinners to clean your tripod. Use mild detergent and wipe dry with a soft, lint-free cloth only.
- **Do not** store or expose your tripod to excessive heat or cold or use close to any flame or fire.
- **Do not** exceed the load limit for this product.

All Specifications Subject to Change without Notice.

SUNPAK LIMITED LIFETIME WARRANTY

This SUNPAK product has been carefully manufactured, accurately adjusted, inspected and thoroughly tested before shipment to assure you of the highest quality.

Should this SUNPAK product require service, we will repair or replace, at our option, any part or the product itself, which our examination shows to be defective in material or workmanship. This warranty does not apply to wear and tear associated with the normal use of the product. This warranty is non-transferable.

Repairs will be made to the product at no charge, under the terms of the warranty as stated above, only when accompanied by a dated and itemized bill of sale and nominal handling charge.

Be certain to follow all assembly and/or operating instructions with this product. This warranty is not valid if the product has been misused or damaged in any way that is beyond our control or through normal wear and tear associated with use. This warranty applies only to the product and we are not responsible in any way for losses, damages or any inconvenience caused by equipment failure.

Some states do not allow the exclusion or limitation of consequential damages, so the above limitation or exclusion may not apply to you. This warranty gives you specific legal rights and you may have other rights which may vary from state to state.

Should service be required, the product should be carefully packed (in the original packaging if possible) and sent, prepaid and insured, along with a check or money order for \$15.95 (shipping and handling), to the address listed below. A note briefly describing the nature of the defect should also be enclosed to expedite handling.

Proof of purchase and payment for shipping and handling

OWNER'S RECORD

Please complete this section and retain with your original bill of sale for your records.

Purchase Date _____

Model _____

Dealer's Name _____

Address _____

City _____

State _____ Zip Code _____

ToCAD America Inc.

Sunpak Tripod Division
53 Green Pond Road
Rockaway, NJ 07866
973-627-9600
www.tocad.com

SUNPAK®

Video PRO-M2

Operating Instructions

Congratulations on the purchase of your new SUNPAK tripod. Your tripod has been designed to be a sturdy, rugged, and dependable product and will provide you with many years of reliable service.

Please spend a few moments reviewing these instructions, so that you can take full advantage of your tripod's features and capabilities.



Cat. no. 620-810

Specifications

Leg Extensions	2
Folded Length	30 in. (76.2 cm)
Maximum Height	59 in. (149.9 cm)
Minimum Height	27.6 in. (70.1 cm)
Weight	7 lbs. (3.2 kg)
Load Capacity	15.4 lbs. (7 kg)

Tripod Components (See Picture A)

1. Oil Filled Fluid Panhead
2. Pan Locking Knob
3. Tilt Locking Knob
4. Quick Release Plate
5. Quick Release Lock Lever (not visible)
6. Pan Handle
7. Quick Release Leg Locks
8. Leg Braces
9. Leveling Ball Control Knob
10. Bubble Level (not visible)
11. Leg Tips with Retractable Leg Spikes
12. Pan Handle Locking Knob
13. Leg Locking Tab (not visible)

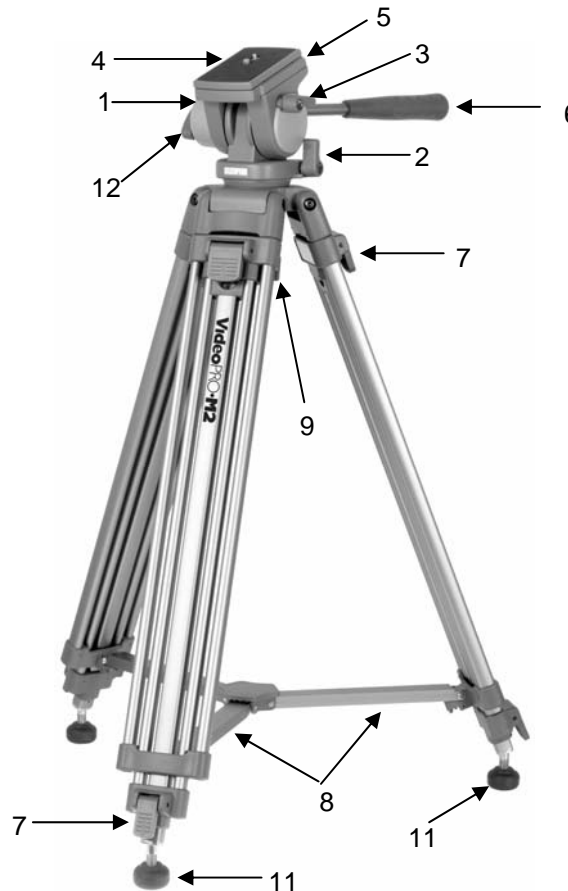
Extending the Sunpak Video PRO-M2 Legs (See Picture A)

Each leg of the Sunpak Video Pro-M2 has separate leg extensions and each segment may be withdrawn as needed. This permits setting your equipment at a comfortable height and can be very useful when positioning your tripod on uneven terrain.

To deploy any leg extension, lift the Leg Lock (7) in an upward direction and gently pull on the leg segment to the desired length. To secure in position, press the leg lock in a downward direction until it locks.

Not properly securing a Leg Lock may cause the tripod leg to retract unexpectedly and result in possible damage to your camera and tripod).

Picture A



Quick Release Platform

Move the Quick Release Locking Lever outward until it stops and remains in the unlocked position. Remove the Quick Release Plate by lifting upward. The plate has a threaded $\frac{1}{4}$ x 20 camera mounting screw for camera attachment and a retractable video indexing pin.

Position the plate so that the camera mounting screw aligns with the matching receptacle on your camera or camcorder and attach, using the camera mounting screw. Once the Quick Release is attached to the camera, mount it on the tripod with the camera tilted slightly down and slide the Quick Release Plate back into position. Once in position, the Quick Release Lock Lever will close and lock the Quick Release in place so that your tripod is ready for use.

Leveling Ball Control

You can quickly level the pan head of your new Video PRO-M2 tripod by using its Leveling Ball control.

To do so, reach under the pan head and unlock the Leveling Ball Knob by turning it in a counterclockwise direction. Level the tripod's pan head by referencing the Bubble Level.

Once level, lock the pan head in place with the Leveling Ball Locking Knob until it is secure.



Opening and Closing the Tripod

Your Sunpak Video PRO-M2 tripod is equipped with metal Center Leg Braces for maximum stability and strength.

Before attempting to open the tripod, release the Leg Locking Tab located at the bottom of the leg braces by pressing downward on the metal tab. When the wheel is turned it will automatically stop with the leg is fully extended.

Extend the leg sections to the desired length and secure each section using the Leg Locks. Draw each leg outward until all three braces are fully extended and gently press down on any brace until it stops.

When closing the tripod, loosen the Locking Knob and gently push up on any Leg Brace.

To close, reverse the process and secure the legs by aligning them and pressing the Locking Tab.